

SPx-S6001

Sensplorer AC/DC Voltage Sensor



CLOUD AND MOBILE MONITORING

Sensplorer's MQTT protocol support presents secure, accurate, prompt mobile and cloud based monitoring for the power line voltage and frequency values.

AC / DC RMS VOLTAGE

Hardware and software solution that measures and monitors voltage and frequency in AC and DC power lines with most advanced and precise technology

A UNIQUE NAME, CONFIGURATION AND "IF THIS THEN THAT" RULE CAN BE SEPERATELY ASSIGNED FOR EACH INDIVIDUAL SENSOR

Sensplorer's flexible, modern and user-friendly software gives you the freedom to use it any way you want. No design or system limitations

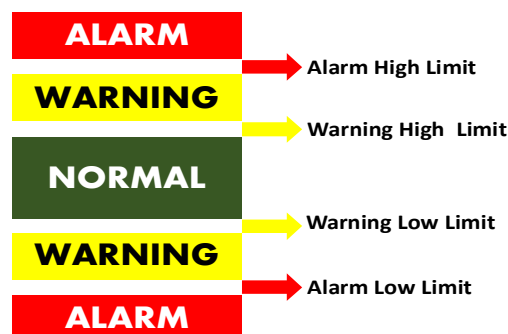
EXPANDABILITY

Sensplorer has a modularly expandable design protecting the current investment. The expansion size depends on the type of Sensplorer base module used

- Precise and accurate RMS voltage and frequency measurement
- Continuous observation for presence and quality of power supplied to the critical devices
- User defined name, limits and hysteresis
- Sensor can be used with Sensplorer Base Modules and Sensor Hub Module
- A single UTP cable connection is enough for both 12 VDC power and sensor communication

The Sensplorer AC&DC RMS Voltage Sensor measures and monitors the RMS voltage of power line. The sensor monitors the AC and DC power lines not only in the presence of the energy but also with the measured voltage value.

The voltage measurement provides a continuous power quality indicator in time.



Four threshold values are assigned to the each sensor which Sensplorer alerts when exceeded up or down.

It is connected to the sensor ports on the Sensplorer-X/M/S base modules or Sensplorer Sensor Hub Module by using CAT5 / 6 UTP cable. The module receives its energy via this UTP connection, no separate power supply is required.

If the sensor value goes out of the range defined by the system administrator;

- Users sensor assigned, "if defined", receive e-mail, SMS, phone call
- Sensplorer dashboard shows the status change on dashboard
- SNMP / Syslog servers, "if defined", receives the traps/messages
- SCADA or BMS systems, "if defined", receives the traps/messages
- Sensplorer runs the specific rule(s) defined in case of this particular event
- All events and sensor's values are stored in the sensor history database for logging or reporting purpose in the future

Technical Specifications

Sensor Module

Power : 12V DC, max. 0,50 W
Working Temp. : 0 °C / +70 °C

AC Voltage Measurement

Range : 0 – 300 VAC
Accuracy : +/- 3% at max.

DC Voltage Measurement

Range : 0 – 110 VDC
Accuracy : +/- 3% at max.

Frequency Measurement

Range : 0 – 100 Hz.
Accuracy : +/- 3% at max.

Always monitor your assets wherever you are...

Sample Sensplorer installation with Sensors

SENSPLORER ALWAYS LETS YOU KNOW WHAT'S GOING ON

Sensplorer sends message to the assigned people to let them know a status change occurred

Users can request the current state of sensors whenever they want to know

All these assignments are completely customizable and easy to use

GOING GREEN

Sensplorer helps you to run an environmentally conscious operation



Please let us know about your requests, questions, comments and suggestions...

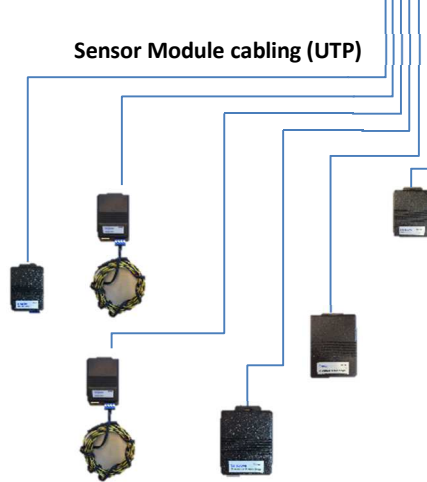
www.sensplorer.com

Sensplorer- X/M/S Base Module

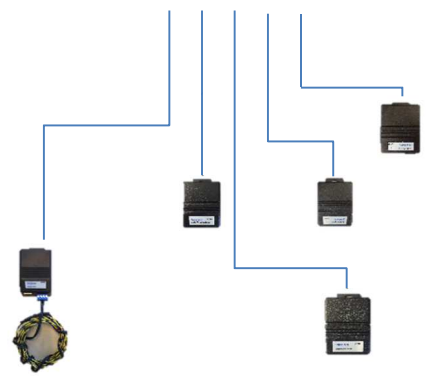


Expansion bus (UTP)

Sensor Module cabling (UTP)



Sensplorer SPx-B2016 Sensor Hub Module



Sensplorer Sensors

- Temperature-Humidity
- Temperature
- Pt-100 Temperature
- Water Flood
- Air Quality
- AC/DC RMS Voltage
- Earth-Neutral Voltage
- AC Current
- Air Pressure
- Air Flow
- Vibration-Shock
- Analog Input
- Dry-Contact
- Digital Input

MEG

ELEKTRIK-ELEKTRONIK

Resitpaşa mah.Katar cad. İTÜ ARI-1
Teknokent No:2/5/4
34467 SARIYER
ISTANBUL-TURKEY
www.meg.com.tr

