

## SPx-S4002

### Sensplorer Temperature Sensor

#### CLOUD AND MOBILE MONITORING

Sensplorer's MQTT protocol support presents secure, accurate, prompt mobile and cloud based monitoring for the ambient temperature values.

#### TEMPERATURE

Hardware and software solution that monitors ambient temperature with the most advanced sensor in the world.

#### A UNIQUE NAME, CONFIGURATION AND "IF THIS THEN THAT" RULE CAN BE SEPERATELY ASSIGNED FOR EACH INDIVIDUAL SENSOR

Sensplorer's flexible, modern and user-friendly software gives you the freedom to use it any way you want. No design or system limitations

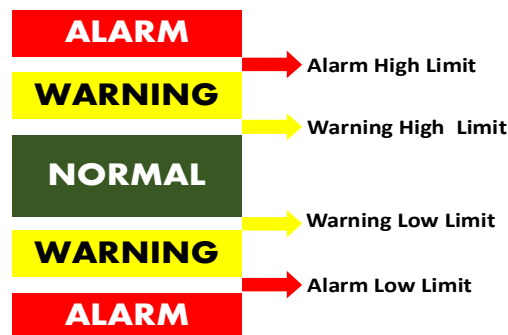
#### EXPANDABILITY

Sensplorer has a modularly expandable design protecting the current investment. The expansion size depends on the type of Sensplorer base module used



- Precise ambient temperature sensor
- Linear measurement in between measurement ranges.
- Measurement with high accuracy and resolution
- User defined name, limits and hysteresis
- Sensor can be used with Sensplorer-X/M/S Base Modules and Sensor Hub Module
- A single UTP cable connection is enough for both 12 VDC power and sensor communication

The Sensplorer Temperature Sensor monitors the ambient temperature.



Four treshold values are assigned to the each sensor which Sensplorer alerts when exceeded up or down.

It is connected to the sensor ports on the Sensplorer-X/M/S base modules or Sensplorer Sensor Hub Module by using CAT5 / 6 UTP cable. The module receives its energy via this UTP connection, no seperate power supply is required.

The maximum distance of sensor module to base and hub can be extended up to 200 meters.

If the sensor value goes out of the range defined by the system administrator;

- Users sensor assigned, "if defined", receive e-mail, SMS, phone call
- Sensplorer dashboard shows the status change on dashboard
- SNMP / Syslog servers, "if defined", receives the traps/messages
- SCADA or BMS systems, "if defined", receives the traps/messages
- Sensplorer runs the specific rule(s) defined in case of this particular event
- All events and sensor's values are stored in the sensor history database for logging or reporting purpose in the future

#### Technical Specifications

##### Sensor Module

Power : 12V DC , max. 0,50 W  
Working Temp. : 0 °C / +70 °C

##### Temperature Sensor

Measurement range : 0 °C / +70 °C  
Accuracy : ±1.5 °C @ 25 °C  
Resolution : 0.1 °C  
Measurement duration : max. 30 seconds

Always monitor your assets wherever you are...

## Sample Sensplorer installation with Sensors

### SENSPLORER ALWAYS LETS YOU KNOW WHAT'S GOING ON

Sensplorer sends message to the assigned people to let them know a status change occurred

Users can request the current state of sensors whenever they want to know

All these assignments are completely customizable and easy to use

### GOING GREEN

Sensplorer helps you to run an environmentally conscious operation



Please let us know about your requests, questions, comments and suggestions...

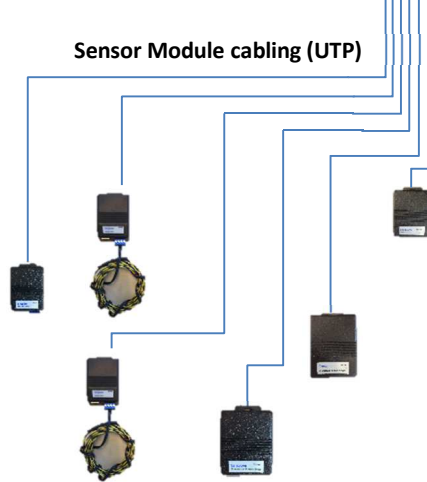
[www.sensplorer.com](http://www.sensplorer.com)

### Sensplorer- X/M/S Base Module

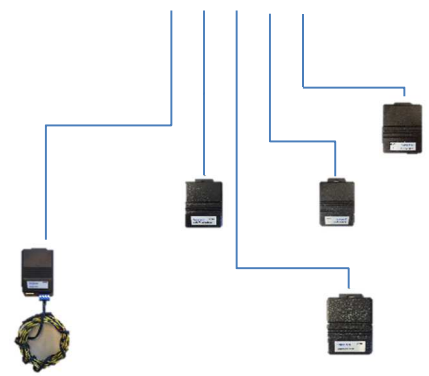


Expansion bus (UTP)

Sensor Module cabling (UTP)



Sensplorer SPx-B2016 Sensor Hub Module



### Sensplorer Sensors

- Temperature-Humidity
- Temperature
- Pt-100 Temperature
- Water Flood
- Air Quality
- AC/DC RMS Voltage
- Earth-Neutral Voltage
- AC Current
- Air Pressure
- Air Flow
- Vibration-Shock
- Analog Input
- Dry-Contact
- Digital Input

# MEG

ELEKTRIK-ELEKTRONIK

Resitpaşa mah.Katar cad. İTÜ ARI-1  
Teknokent No:2/5/4  
34467 SARIYER  
İSTANBUL-TURKEY  
[www.meg.com.tr](http://www.meg.com.tr)

